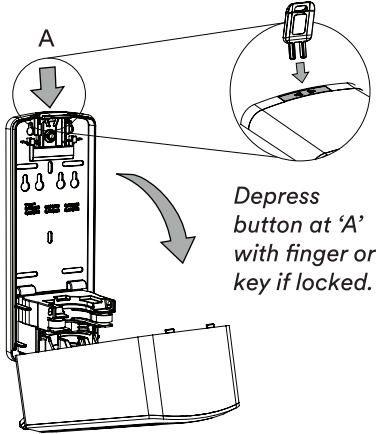
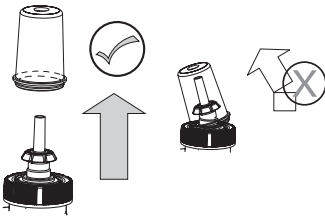


Insertion instructions for Avagard™ 1.25L bottles.

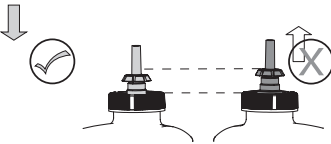
1 Open dispenser.



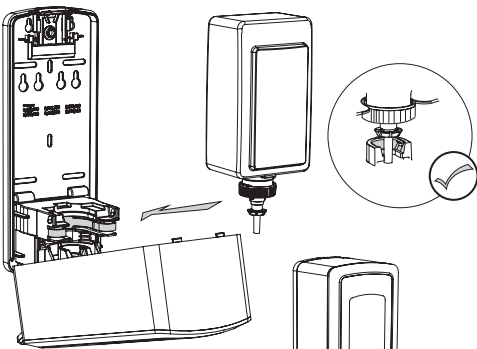
2 Remove travel cap.



3 Do not extend stem outward.



4 Slide collar into grooves.



5 Close dispenser to ensure pump is primed.



3M and Avagard are trademarks of 3M.
Please recycle. Printed in Australia.
© 3M 2019. All rights reserved.

3M Australia Pty Ltd
Medical Solutions Division
Bldg A, 1 Rivett Road
North Ryde NSW 2113

Phone 136 136
Email infectionprevention@mmm.com
Web 3M.com.au

3M New Zealand Limited
Medical Solutions Division
94 Apollo Drive
Rosedale Auckland 0632

Phone 0800 80 81 82
Email infectionprevention@mmm.com
Web 3M.co.nz

